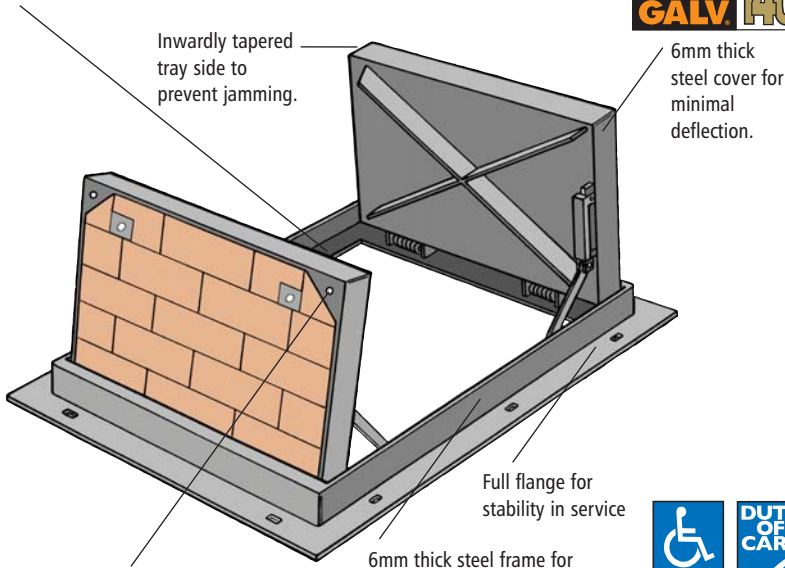


SOLOBLOC

HINGED 'LIFT ASSISTED,
SINGLE PERSON OPERATION' HSE COMPLIANT

CPH2 TWIN LEAF

All Solobloc units are post galvanised in excess of BS EN 1461. Post Galvanised coating thickness is available in 3 grades of finish to suit the specific project geographical location. Solobloc units should be designed to cater for their intended application and should last the life of the project. See chart on page 65 for the various grades of corrosion protection required to meet the designers obligations on Whole Life Costing for the project.



DDA Compliant Lifting points.
'Lift assisted HSE manual handling
compliant for single person operation'



Compliant products





Jones of Oswestry provides RIBA approved CPD support for designers and architects in the subject of true sustainable design. For further details email marketingsupport@jonesofoswestry.com

ALL TECHNICAL DETAILS ARE COPYRIGHT, AND MUST NOT BE REPRODUCED WITHOUT PRIOR CONSENT

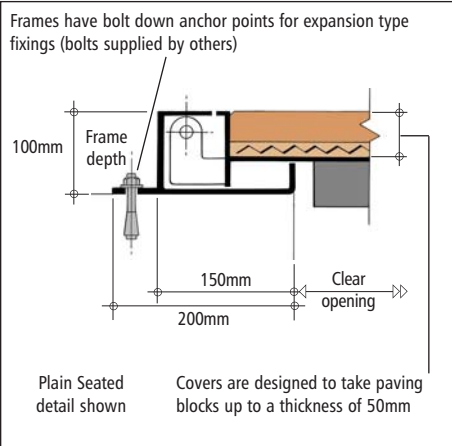
LOAD CLASSES, BS EN 124

EUROPEAN STANDARD FOR ACCESS COVERS

LOAD CLASSES	TEST LOAD	SUGGESTED AREAS OF USAGE	SPECIFYING CODE
 A15	15kN (1.5 Tonne)	Pedestrian and Cycle Areas	/A
		Recommended S.M.W.L. Not exceeding 1 Tonne	
 B125	125kN (12.5 Tonne)	Pavement, Pedestrian Zones, Car Parks & Verges	/B
		Recommended S.M.W.L. Not exceeding 6 Tonne	
C250	250kN	Contact our technical support team for advice on exceptionally heavy vehicled areas.	/C
D400	400kN		/SD

ALTHOUGH NOT COMPLYING WITH BS EN 124, OTHER INTERMEDIATE LOAD CLASSES ARE AVAILABLE, CONSULT OUR TECHNICAL DEPARTMENT

SECTIONAL DETAILS



DIMENSIONS

Installation dimensions, based around chamber clear openings are as shown. Although example clear opening sizes are tabulated, SOLOBLOC is available in any size to suit specific project requirements within the design scope of HSE compliance. Tray depth caters for 50mm or 65mm thickness of slab or pavior infill, please specify depth of block infill required.

ACCESSORY SUFFIXES

To specify add the following suffixes to the professional specification code

- A1R - Single Rubber Seating Seal
- A4 - Ventilated
- B5 - Hasp and staple c/w hinged cover plate
- H1 - Service Identification (please specify)
- L8 - Internal fall protection
- X - Grade 304 Stainless Steel Construction
- Y - Grade 316 Stainless Steel Construction

DESIGN SCOPE

Solobloc covers maybe available for blocks greater than 65mm deep. The internal clear opening size and load class required will influence the exact infill cover depth available. Please contact our technical support team for advice on techadvice@jonesofoswestry.com

ALL TECHNICAL DETAILS ARE COPYRIGHT, AND MUST NOT BE REPRODUCED WITHOUT PRIOR CONSENT

SOLOBLOC CPH2 TWIN LEAF

FINISHES

How to use the Longevity Table

1. Locate your site on the Millennium map (E.g. Leeds - West Yorkshire)
2. Match the corrosion category square colour to the key (Leeds = 3 light blue)
3. Read down from Product Design Life to establish required minimum life i.e. 25 years.

4. Once minimum Product Design Life has been established, (20,25 or 30 years) cross reference with your site location category (1,2,3,4 or 5) to determine your required Duragalv finish. (Duragalv 100)
5. At the end of the specifying code DG100 needs to be added.

Coating suffix specifying codes:

Duragalv70 = DG70
Duragalv100 = DG100
Duragalv140 = DG140

Fabricated mild steel products, Hot-Dip Galvanised after manufacture = GALVANISED LONGEVITY TABLE					
Rate of corrosion of zinc (in microns per annum).	2.5	3	3.5	4	4.5
See Millennium Map for your site location or visit www.hdg.org.uk/map/index.htm	1	2	3	4	5
PRODUCT DESIGN LIFE					
20 YEARS Generally less than the normal minimum design life for product in public domain - UNACCEPTABLE WHOLE LIFE COSTING RETURN PERIOD	DURA GALV 70	DURA GALV 70	DURA GALV 70	DURA GALV 100	DURA GALV 100
25 YEARS Normal minimum design life for product in public domain - ACCEPTABLE WHOLE LIFE COSTING RETURN PERIOD	DURA GALV 70	DURA GALV 100	DURA GALV 100	DURA GALV 100	DURA GALV 140
30 YEARS Enhanced design life for product in public domain - PREFERRED WHOLE LIFE COSTING RETURN PERIOD	DURA GALV 100	DURA GALV 100	DURA GALV 140	DURA GALV 140	DURA GALV 140

Jones of Oswestry provide an extensive on-line support service. Simply attach your drawings or list your queries to techadvice@jonesofoswestry.com and one of our engineers will guide you to the most suitable solution.

HOW TO SPECIFY

PROGRESSIONAL EXAMPLE FOR SPECIFYING						
Ref DESCRIPTION	PRODUCT TYPE	CLEAR OPENING	LOAD CLASS	BLOCK INFILL DEPTH	ACCESSORY SUFFIX	FINISHED COATING
DETAIL	(SOLOBLOC TWIN)	(1000mm x 700mm)	(B125)	(65mm)	(SINGLE SEAL)	(SEE LONGEVITY TABLE)
PRODUCT Ref	CPH2	100-70	B	65	A1	DG100
THE ABOVE EQUALS FULL SPECIFYING CODE OF = CPH2/100-70/B/65/A1/DG100						

WHITTINGTON ROAD, OSWESTRY,
SHROPSHIRE, SY11 1HZ
TEL: 01691 653251
FAX: 01691 658222
EMAIL: techadvice@jonesofoswestry.com

JONES
OF OSWESTRY

SECTION 1 PAGE 65