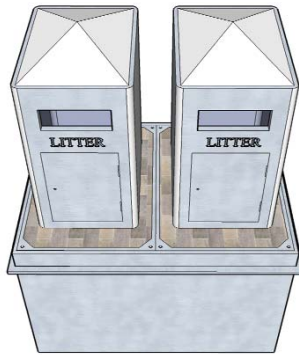




## COVERBIN

Access cover/bin combination

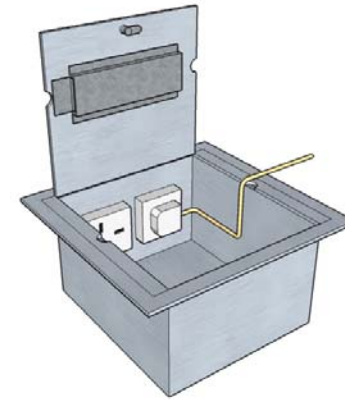


## SUPRABIN

Bins with hidden depths

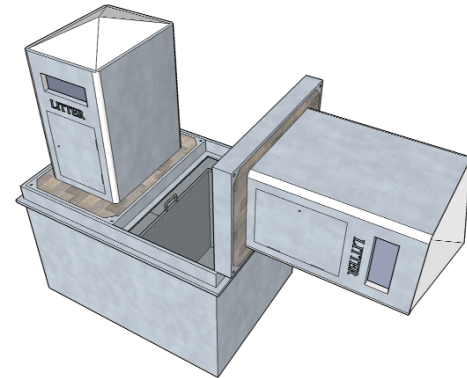
## COVERLEC

- Ideal electric supply point
- Safely underground
- Lockable for security



## SUPRABIN

- Convenient fitting handles
- Vermin proof, fire proof, vandal proof
- Spring assisted to comply with HSE manual handling
- Colours and logos to your spec

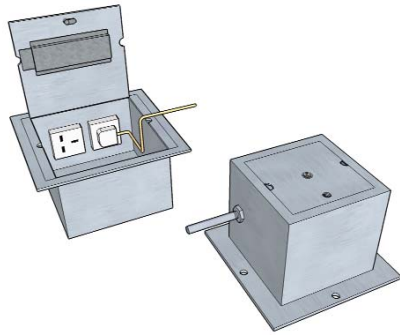


## COVERBIN

- Ideal in busy pedestrianised areas
- Eliminates potential slip or trip hazard
- Vermin proof, fire proof, vandal proof
- Colours and logos to your spec



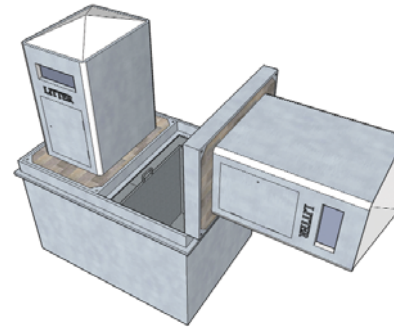
ALL TECHNICAL DETAILS ARE COPYRIGHT, AND MUST NOT BE REPRODUCED WITHOUT PRIOR CONSENT



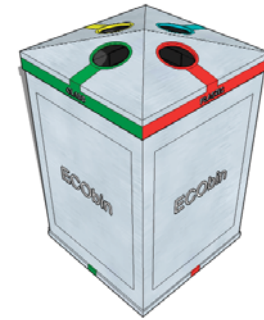
COVERLEC



COVERBIN



SUPRABIN



ECOBIN

PRODUCTS AND INFORMATION CAN BE AMENDED WITHOUT PRIOR CONSENT TO MAINTAIN THE COMPANY POLICY OF CONTINUED IMPROVEMENT

